



Bonzini™ U.S.A.

Assembly Instructions

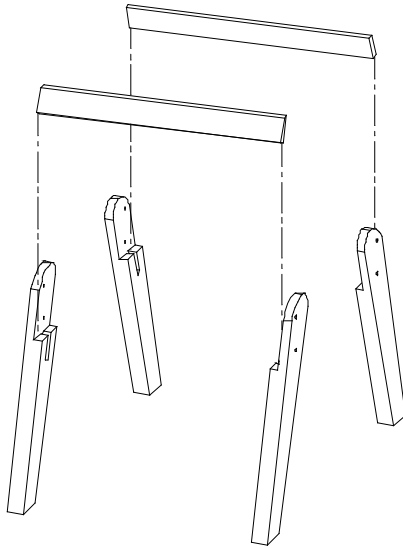
Materials Needed:

17 mm or Adjustable Wrench
Barstool or Sawhorse
Paper towels and cleaner

Materials Included:

5mm hex wrench, torx wrench, & 6 cork balls
8 17 mm Leg bolts
8 Leg washers

FIG 1-1



1. Determine which leg supports will be in pairs.
 2. Slide crossbar supports into dovetail groove as shown in FIG 1-1* and place to the side.
 3. Elevate table 30 inches and place securely on a barstool or sawhorse.
- * The cross bar supports will fit even with the leg at the dove-tail slot and should set flush with the table cabinet when installed.

1. Place a washer onto all the table leg bolts.
2. Gently slide one pair of the table leg supports into position as shown in Fig 2-1.

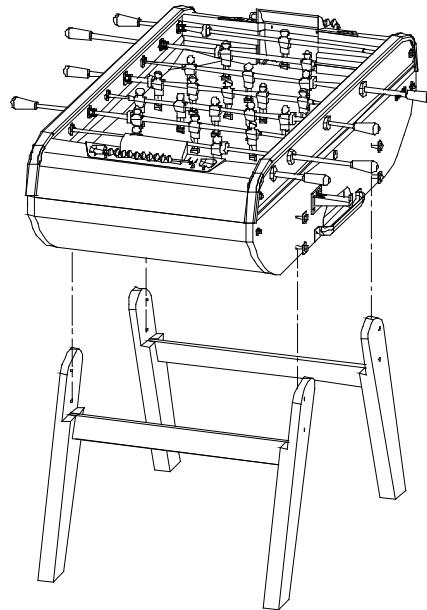


FIG 2-1

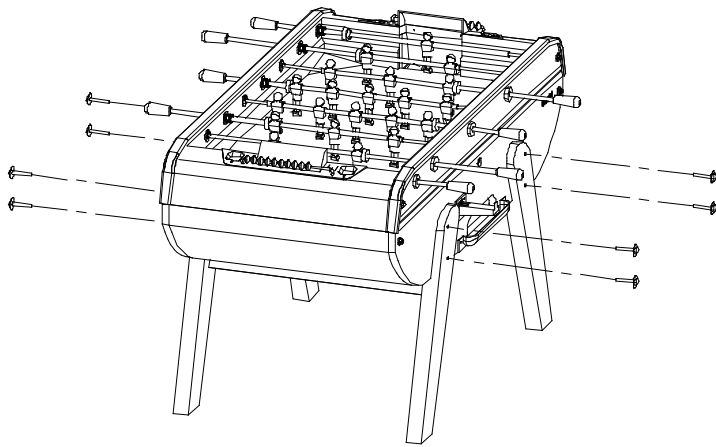


FIG 3-1

1. Insert a bolt into leg assembly and tighten firmly but not tight.
2. Repeat with next leg assembly.
3. With a 17mm open-end wrench, tighten all leg support bolts.

(Note) Do not tighten the bolts securely yet for leveling purposes.

1. Place the table in playing position.
2. Adjust for leveling by orbiting leg assemblies in or out to desired position and then tighten legs securely.

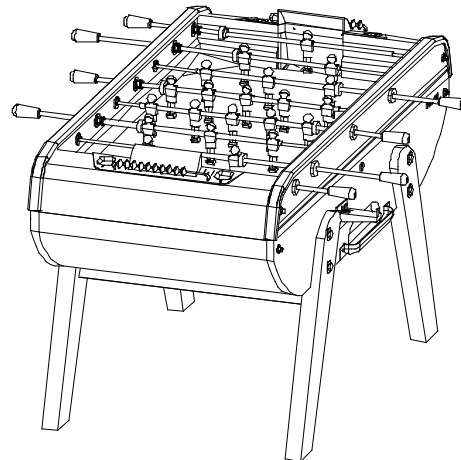


FIG 4-1

Maintenance Instructions

1. Extend rods to outward position and remove any lubricant or accumulated dust.
2. Place a few drops of a Teflon lubricant* on both inner & outer rods.
3. Spin the rods smoothly inward to insure even lubricant application.
4. Clean surface with cleaner. Fantastik by S C Johnson preferred.
5. Table lighting should extend 28-32 inches above playing surface and centered.
6. Repeat this process once a week for best performance.
7. Ordinary touch-up auto paint can be used on figurines to refresh appearance.

* Teflon lubricant sold separately by Bonzini USA

“Where the game is played with as much imagination as skill...”™

www.bonziniusa.com